

Service Data

Vickers®

Vane Pumps



Quiet Intra-Vane Double Pump

4525V*****-***-20(L)-28*



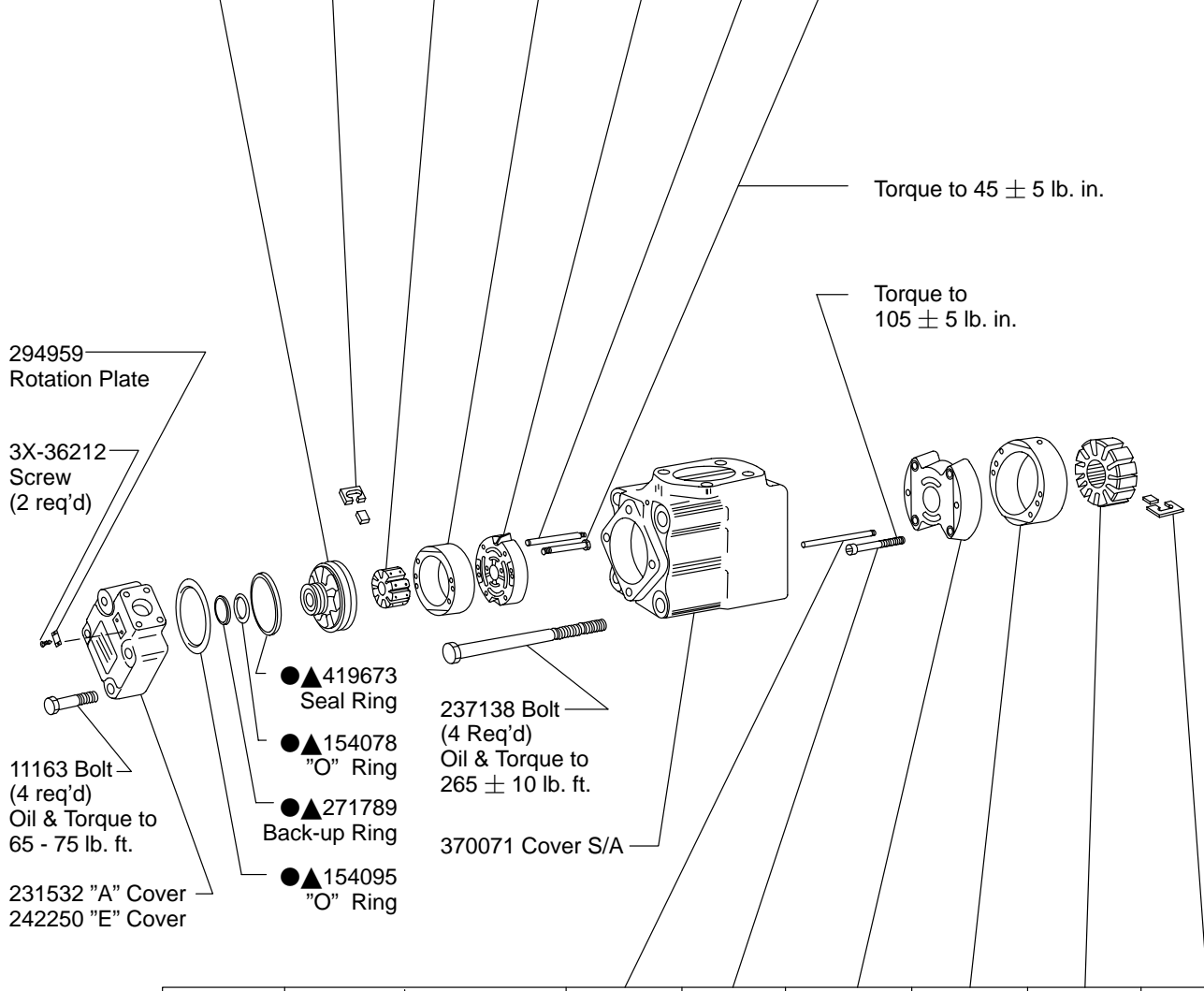
Revised 10/01/89

I-3188-S

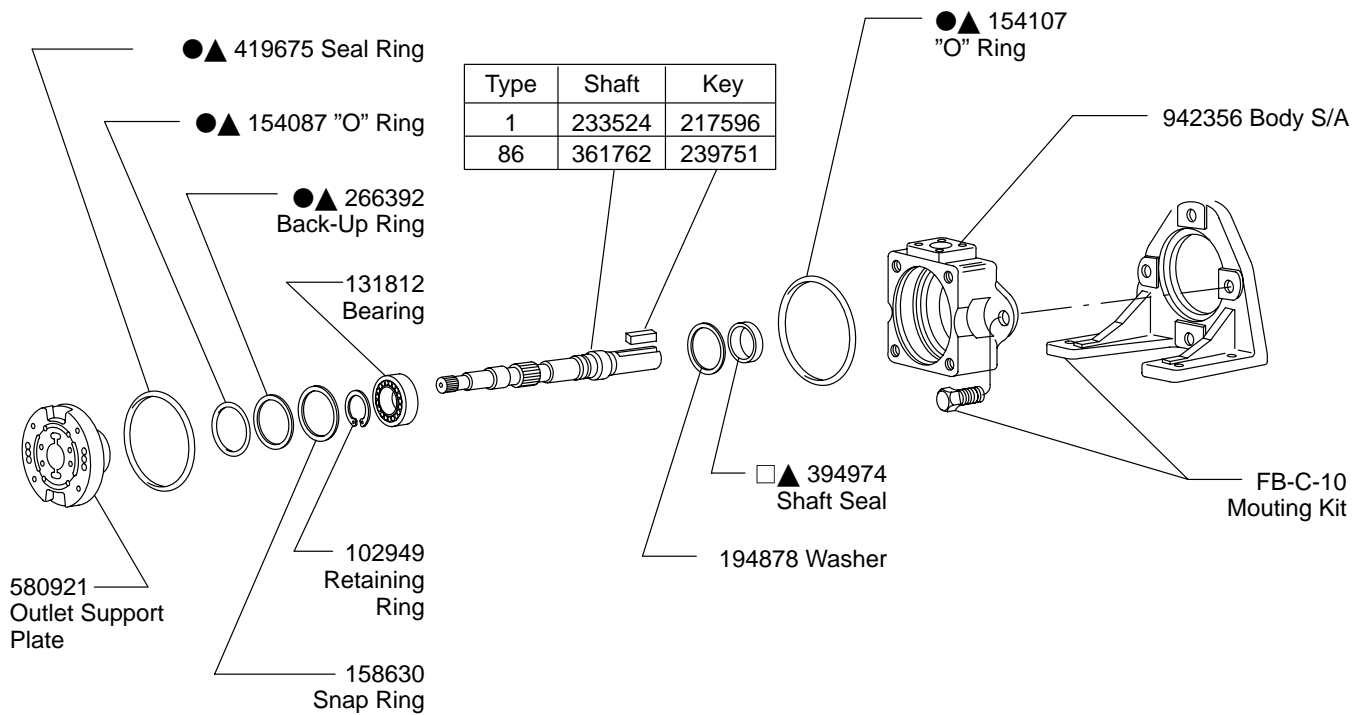
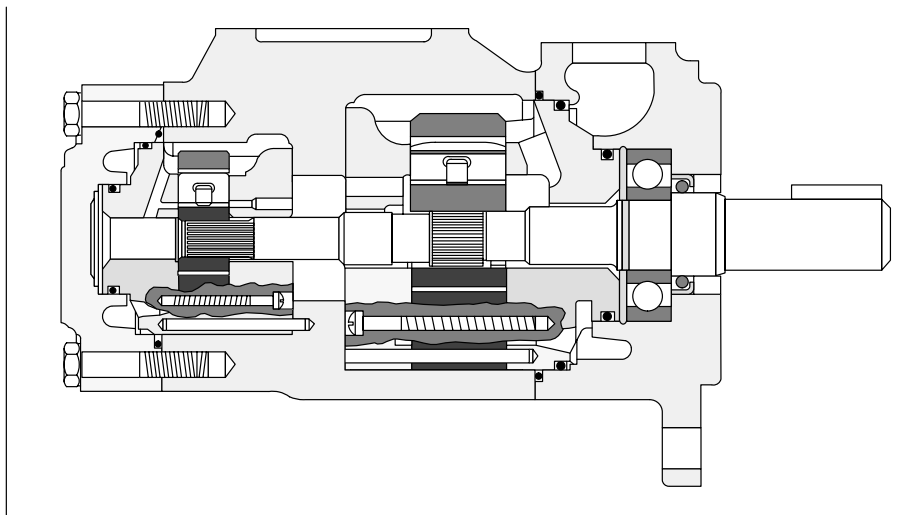
□ **Note**

Seals must be completely wetted at time of assembly with an SAE 10W motor oil of "SE" quality or an industrial hydraulic oil equivalent. Assemble seal with lip toward the bearing.

Capacity Cover End Pump (USGPM)	Outlet Support Plate	Vane Kit (12 Vanes & Inserts)	Rotor	Ring	Inlet Support Plate	Pin (2 req'd)	Screw (2 req'd)	Cartridge Kit	F3 Cartridge Kit
These parts are included in cartridge kit									
4525V***12	588690	941214	584618	584610	588689	229662	289472	591091	591109
4525V***14				584612				591092	591110
4525V***17				584614				591093	591111
4525V***21				584616				591094	591112



Cartridge Kit	F3 Cartridge Kit	Capacity Shaft End Pump (USGPM)	Pin (2 req'd)	Screw (2 req'd)	Inlet Support Plate S/A	Ring	Rotor	Vane Kit (12 Vanes & Inserts)
These parts are included in cartridge kit								
581663	584312	4525V42	220888	289476	578903 (Includes Bushing)	581679	578900	941049
581664	584313	4525V50				581680		
580919	584314	4525V60				578904		



▲ Service all units with F3 Seal Kit 919345



CAUTION

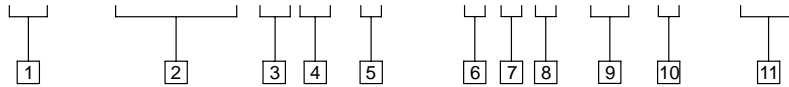
Individual cartridge parts are not interchangeable with similar parts of the previous design. Complete cartridges are interchangeable with the previous design.

▲ Included in 922865 seal kit

● Also included in cartridge kit

Model Code

(F3) - 4525V * * (*) - * * * 20 (*) - 28*



1 Seal Material

F3 - Viton®

Viton is a registered trademark of E.I. DuPont

2 Model Series

4525V - Vane Pump

3 Capacity - Shaft end pump

(Rating at 1200 RPM - 100 PSI)
(See inside for capacities.)

4 Port Connections

A -SAE 4 bolt flange

E -SAE Std. thread at #2 outlet port

5 Capacity - Cover end pump

(Rating at 1200 RPM - 100 PSI)
(See inside for capacities.)

6 Shaft Type

1 - Straight with square key (standard)

11 - Splined

86 - Straight with square key
(heavy duty)

7 #1 Outlet Port Position

8 #2 Outlet Port Position

9 Design

10 Rotation

(Viewed from shaft end)

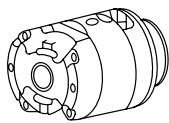
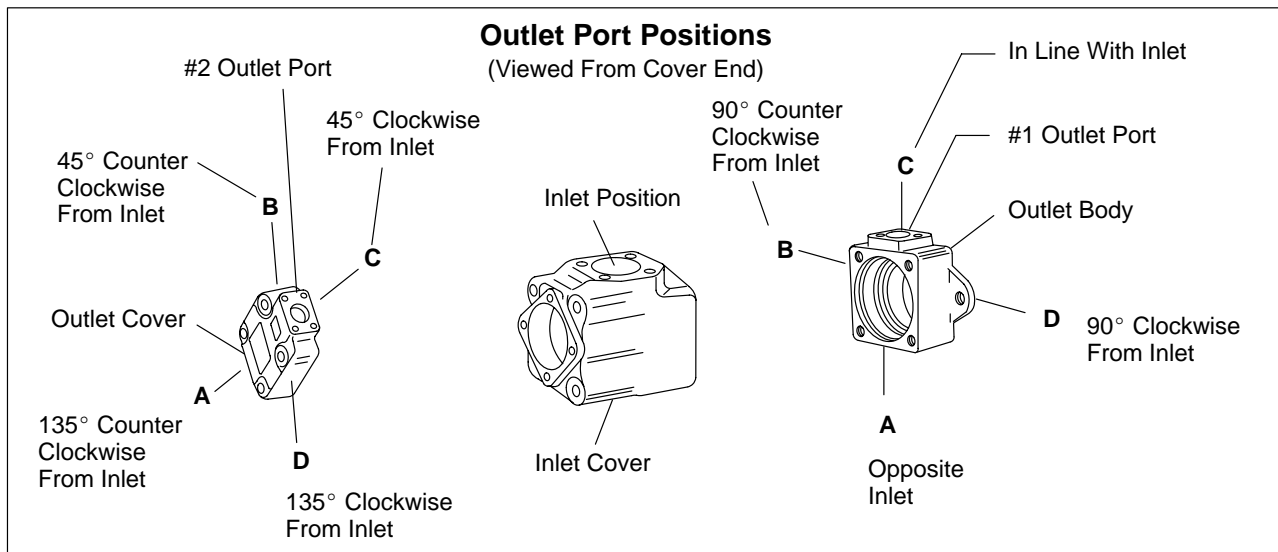
L - Left hand (CCW rotation)

Omitted - Right hand rotation

11 Mounting

282 - SAE 2-bolt mounting

283 - Foot mounting



PARTS ORDERING

Parts are the same for both right and left hand rotation. When ordering spare cartridge parts, it is recommended they be obtained in cartridge kits. Kits are assembled and tested for either right or left hand rotation. If left hand rotation is required, it should be specified on parts order by adding suffix "L" to Kit Number. For example, 591091-L.

For satisfactory service life of these components in industrial applications, use full flow filtration to provide fluid which meets ISO cleanliness code 20/18/15 or cleaner. Selections from Eaton OFP, OFR, and OFRS series are recommended.

Eaton Hydraulics

15151 Highway 5
Eden Prairie, MN 55344
Telephone: 612 937-7254
Fax: 612 937-7130
www.eatonhydraulics.com

46 New Lane, Havant
Hampshire PO9 2NB
England
Telephone: (44) 170-548-6451
Fax: (44) 170-548-7110

